

KML-631M_H

LOW-PROFILE MODULAR CRESCENT CUBER

Item # _____

Project: _____

Qty: _____

*AutoCad available on KCL

KML-631M_H

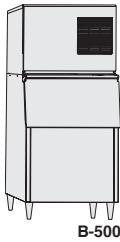
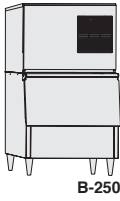
10/10

Item # 13192

CUBER DIMENSIONS

W x D x H

KML-631M_H
30 x 27^{3/8} x 26



KML-631MAH




Air-Cooled
Shown on an optional
B-500

KML-631MWH

Water-Cooled

KML-631MRH

Remote Air-Cooled

- Up to 636 lbs. of ice production per 24 hours
- Durable stainless steel exterior
- Individual crescent cube
- Protected by *HoshiGuard* antimicrobial agent 
- CycleSaver® Design 
- EverCheck® alert system 
- Stainless steel evaporator
- Removable air filters (Air-cooled models only)
- R-404A Refrigerant
- Complies with California Energy Commission guidelines (CEC)

* The KML-631MRH is ENERGY STAR qualified.

Warranty

Valid in United States, Canada, Puerto Rico, & U.S. Territories. Contact factory for warranty in other countries.

Three Year - Parts & Labor on entire machine.

Five Year - Parts & Labor on: Evaporator

Five Year - Parts on: Compressor, air-cooled condenser coil.



ISO 9001-5:2008

© HOSHIZAKI AMERICA, INC.



KML-63IM_H LOW-PROFILE MODULAR CRESCENT CUBER

DIMENSIONS
W x D x H
KML-63IM_H
30 x 27^{3/8} x 26

- Air-cooled
- Water-cooled
- Remote Air-cooled

AIR-COOLED

| Water Temp ° F. | 50° | 70° | 90° | |
|-----------------|-----|------------|-----|-----|
| Air Temp ° F. | 70° | 575 | 553 | 515 |
| 80° | 558 | 525 | 481 | |
| 90° | 553 | 501 | 459 | |

WATER-COOLED

| Water Temp ° F. | 50° | 70° | 90° | |
|-----------------|-----|------------|-----|-----|
| Air Temp ° F. | 70° | 632 | 631 | 593 |
| 80° | 632 | 631 | 572 | |
| 90° | 631 | 630 | 579 | |

REMOTE AIR-COOLED

| Water Temp ° F. | 50° | 70° | 90° | |
|-----------------|-----|------------|-----|-----|
| Air Temp ° F. | 70° | 636 | 622 | 578 |
| 80° | 626 | 604 | 545 | |
| 90° | 622 | 589 | 535 | |

UTILITY CONSUMPTION

| Model Number | Ice Production Per Cycle | | KWH per 100 LBS. 90/70 | Potable Water Gal. per 100 lbs. | Condenser Water Gal. per 100 lbs. |
|--------------|--------------------------|-------|------------------------|---------------------------------|-----------------------------------|
| | Lbs. | Cubes | | | |
| KML-631MAH | 9.0 | 480 | 6.2 | 26.0 | N/A |
| KML-631MWH | 9.7 | 480 | 4.4 | 24.8 | 119 |
| KML-631MRH | 9.4 | 480 | 5.3 | 24.0 | N/A |

SPECIFICATIONS

| Model Number | Condenser | Amperage | Min. Circuit Ampacity | Shipping Weight |
|--------------|-------------------|----------|-----------------------|-----------------|
| KML-631MAH | Air-Cooled | 7.6 | 20 A | 220 lbs. |
| KML-631MWH | Water-Cooled | 6.8 | 20 A | 217 lbs. |
| KML-631MRH | Remote Air-Cooled | 7.8 | 20 A | 220 lbs. |

STORAGE BINS

| Model Number | Application Capacity | ARI-Rated Capacity |
|--------------|----------------------|--------------------|
| B-250 | 250 lbs. | 230 lbs. |
| B-500 | 500 lbs. | 360 lbs. |
| B-700 | 700 lbs. | 550 lbs. |
| B-800 | 800 lbs. | 600 lbs. |
| B-900 | 900 lbs. | 660 lbs. |
| B-1150 | 1150 lbs. | N/A |
| B-1300 | 1275 lbs. | N/A |
| B-1500 | 1500 lbs. | N/A |
| B-1650 | 1605 lbs. | N/A |

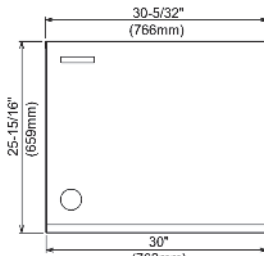
ELECTRICAL & PLUMBING/KML-63IM_H

- 208-230/60/1 (3 wire with dedicated neutral for 115V)
- 20 Amp Max Fuse/HACR Breaker Size
- 3/8" OD copper or equivalent independent potable water supply
- 3/4" FPT independent drain connection

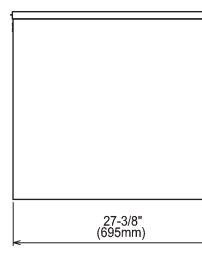


© HOSHIZAKI AMERICA, INC.

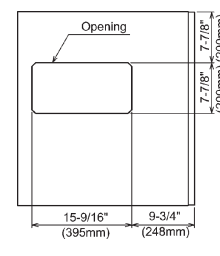
618 Hwy. 74 S., Peachtree City, GA 30269



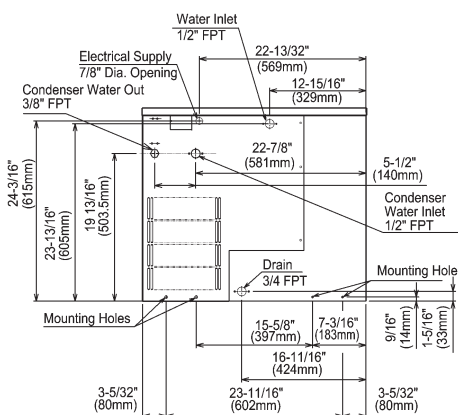
FRONT VIEW



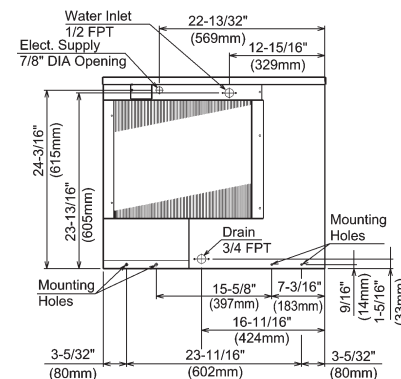
SIDE VIEW



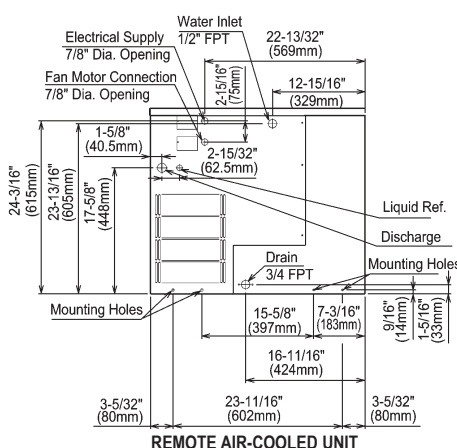
ICE DROP ZONE



WATER-COOLED UNIT

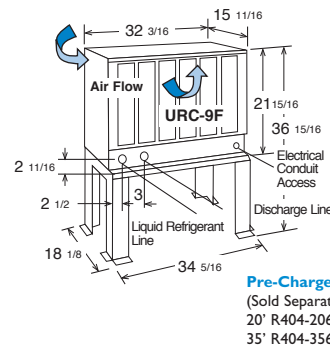


AIR-COOLED UNIT



REMOTE AIR-COOLED UNIT

URC-9F Remote Condenser (Sold Separately)
For Use with KML-631MRH



Pre-Charged Tubing Kits
(Sold Separately)
20' R404-2068-2
35' R404-3568-2

Voltage supply for the URC Remote Condenser is supplied from the Ice Maker. No additional circuit is required.

OPERATING LIMITS

- Ambient Temp Range 45 - 100°F
- Water Temp Range 45 - 90°F
- Water Pressure 10 - 113psig
- Voltage Range 187 - 253V

SERVICE

- Panels easily removed and all components accessible for service.
- Removable/cleanable air filters (Air-cooled models only)

CONDENSING UNIT

- Voltage Range 104 - 127V
- Ambient Temp Range -22 - 122°F

TEL 1-800-438-6087

FAX 1-800-345-1325

www.hoshizaki.com

Printed in U.S.A.

