

# DCM-750B\_H-OS

## OPTI-SERVE SERIES

### SANITARY CUBELET ICE MACHINE/DISPENSER

Item # \_\_\_\_\_

Project: \_\_\_\_\_

Qty: \_\_\_\_\_

\*AutoCad available on KCL

DCM-750B\_H-OS

10/10

Item # 13150

#### DIMENSIONS

W x D x H

#### DCM-750B\_H-OS

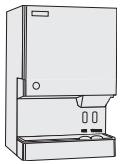
34<sup>1/16</sup> x 28<sup>1/2</sup> x 48<sup>1/16</sup>

#### SD-700

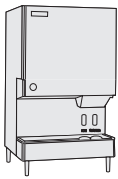
34<sup>1/4</sup> x 28<sup>1/4</sup> x 32<sup>1/2</sup>

#### SD-750

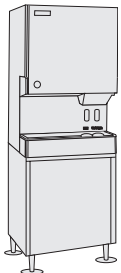
34 x 28 x 32<sup>3/4</sup>



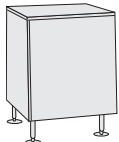
DCM-750  
Countertop



DCM-750  
Countertop  
with optional  
6" legs



DCM-750  
Floor Model  
with optional  
stand



SD-700  
optional  
stand



SD-750  
optional  
stand

#### DCM-750BAH-OS

Air-Cooled  
Shown on an optional  
SD-750 Stand



#### DCM-750BWH-OS

Water-Cooled



\*Transparent drinkware may affect dispensing operations

#### DCM-750B\_H-OS

- CleanCycle12® - Every 12 hours, unit performs 15 minute purge to rid itself of impurities 
- LED Remote sensor for hands-free operation
- Sealed LED housing prevents moisture from entering, eliminating the possibility of an electrical short
- Corrosion resistant stainless steel exterior
- Up to 803 lbs. of ice production per 24 hours, with 95 lbs. built-in storage
- Easy to chew, cubelet ice
- Self contained design reducing opportunities for cross contamination
- Dispenses ice and water
- Removable air filters (Air-cooled model only)
- Protected by HoshiGuard Antimicrobial Agent 

#### SD-700 Stand / SD-750 Stand

- Heavy duty stand for floor model icemaker/dispenser
- Corrosion resistant stainless steel exterior
- Easy cleaning with attractive appearance
- Locking doors standard on SD-750

#### Warranty

Valid in United States, Canada, Puerto Rico, & U.S. Territories. Contact factory for warranty in other countries.

**Three Year** - Parts & Labor on entire machine. (Serial numbers Vxxxxxj) and after.)

**Five Year** - Parts on: Compressor, air-cooled condenser.



ISO9001-ISO14001



# SANITARY CUBELET ICE MACHINE/DISPENSER - OPTI-SERVE SERIES

## DIMENSIONS

W x D x H

|                      |                    |          |                   |          |                    |
|----------------------|--------------------|----------|-------------------|----------|--------------------|
| <b>DCM-750B_H-OS</b> | $34\frac{1}{16}$ " | $\times$ | $28\frac{1}{2}$ " | $\times$ | $48\frac{1}{16}$ " |
| <b>SD-700</b>        | $34\frac{1}{4}$ "  | $\times$ | $28\frac{1}{4}$ " | $\times$ | $32\frac{1}{2}$ "  |
| <b>SD-750</b>        | 34"                | $\times$ | 28"               | $\times$ | $32\frac{3}{4}$ "  |

- Hands-free ice machine/dispenser
- Optional stand
- Optional stand with locking doors

### AIR-COOLED

| Water Temp ° F. | 50° | 70° | 90° |     |
|-----------------|-----|-----|-----|-----|
| Air Temp ° F.   | 70° | 803 | 770 | 726 |
|                 | 80° | 684 | 645 | 608 |
|                 | 90° | 573 | 567 | 509 |

### WATER-COOLED

| Water Temp ° F. | 50° | 70° | 90° |     |
|-----------------|-----|-----|-----|-----|
| Air Temp ° F.   | 70° | 744 | 719 | 708 |
|                 | 80° | 696 | 684 | 673 |
|                 | 90° | 662 | 654 | 640 |

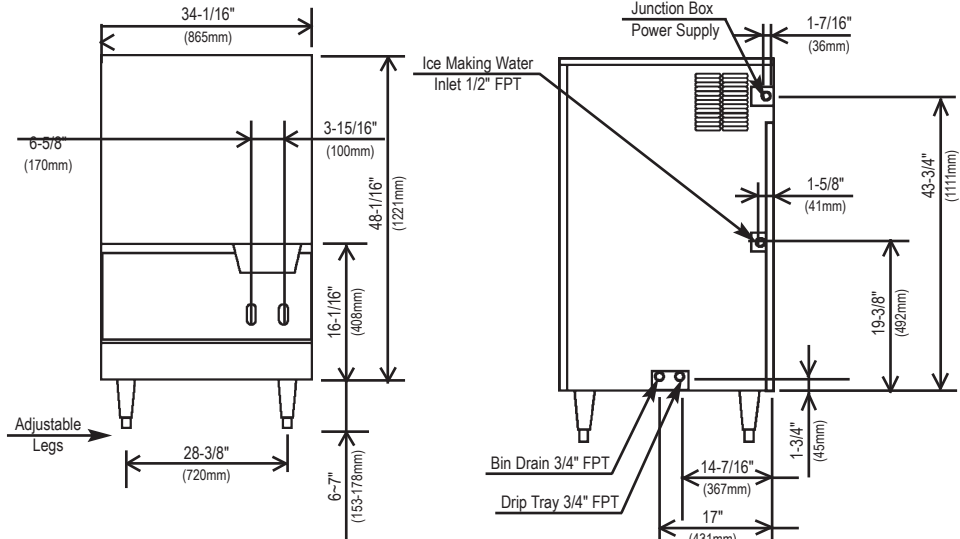
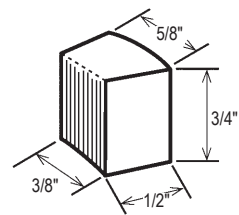
### UTILITY CONSUMPTION

| Model Number  | KWH per 100 LBS. 90/70 | Potable Water Gal. per 100 lbs. |
|---------------|------------------------|---------------------------------|
| DCM-750BAH-OS | 6.3                    | 12.0                            |
| DCM-750BWH-OS | 5.1                    | 12.0                            |

### SPECIFICATIONS

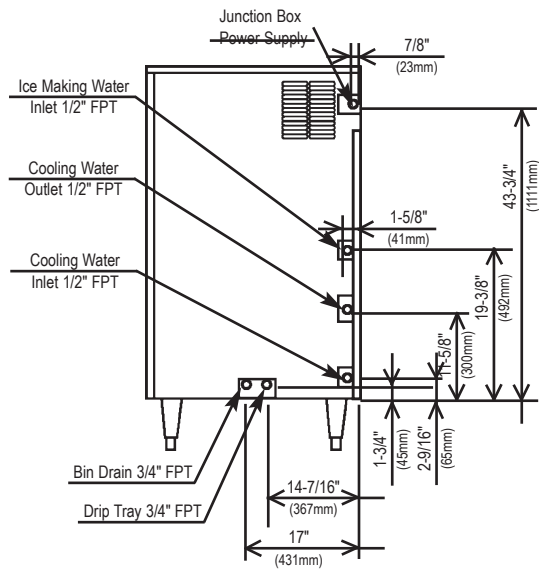
| Model Number  | Condenser    | Amperage | Min. Circuit Ampacity | Shipping Weight |
|---------------|--------------|----------|-----------------------|-----------------|
| DCM-750BAH-OS | Air-Cooled   | 20.4     | 20                    | 420 lbs.        |
| DCM-750BWH-OS | Water-Cooled | 19.5     | 20                    | 420 lbs.        |
| SD-700        | N/A          | N/A      | N/A                   | 165 lbs.        |
| SD-750        | N/A          | N/A      | N/A                   | 125 lbs.        |

### CUBELET DIMENSIONS

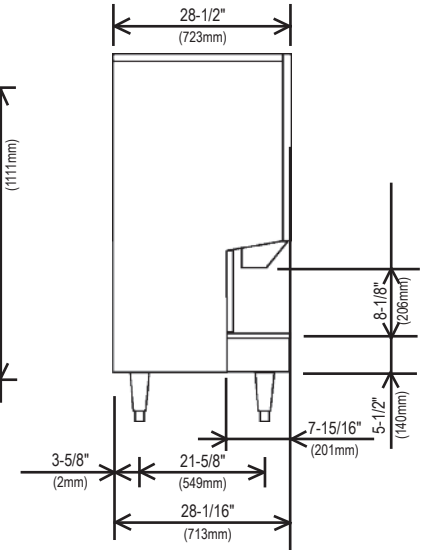


FRONT VIEW

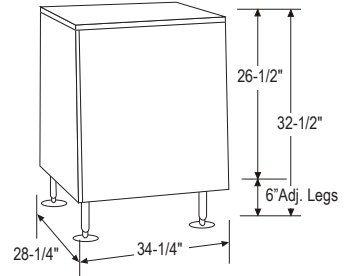
AIR-COOLED UNIT



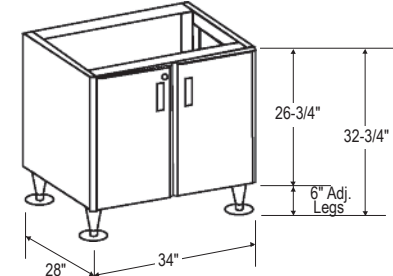
WATER-COOLED UNIT



SIDE VIEW



SD-700



SD-750

### ELECTRICAL & PLUMBING/DCM-750BAH-OS

- 115V/60/1
- 20 amp Max Fuse Size
- 1/2" OD copper or equivalent independent water supply
- 3/4" independent drain connection

### OPERATING LIMITS

|                      |              |
|----------------------|--------------|
| • Ambient Temp Range | 45 - 100°F   |
| • Water Temp Range   | 45 - 90°F    |
| • Water Pressure     | 10 - 113psig |
| • Voltage Range      | 104 - 127V   |

### SERVICE

- Panels easily removed and all components accessible for service.
- Removable/cleanable air filter.

**HOSHIZAKI AMERICA, INC.**

